

FiWaRec® Catalogue for Directional Valves



IT'S
YOUR SYSTEM
OPTIMIZED WITH
OUR COMPONENTS

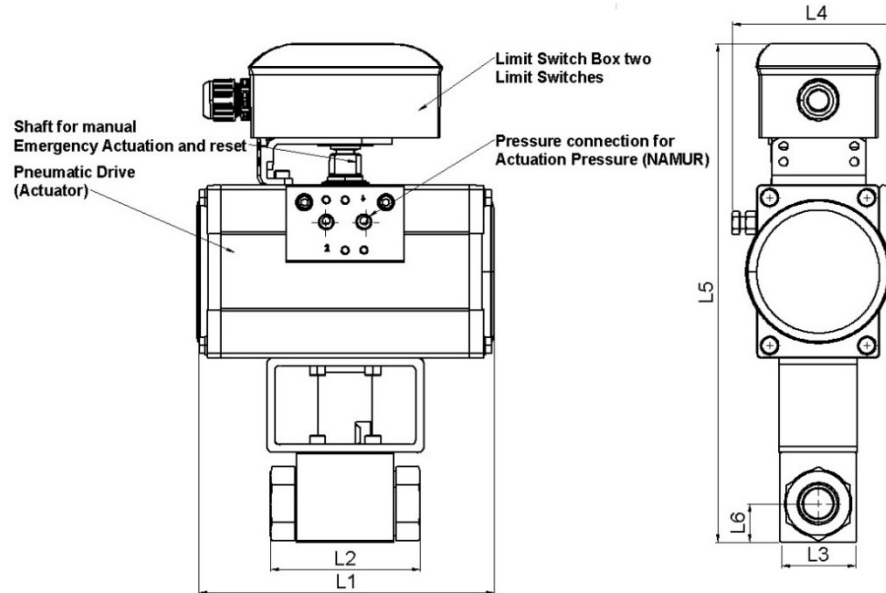
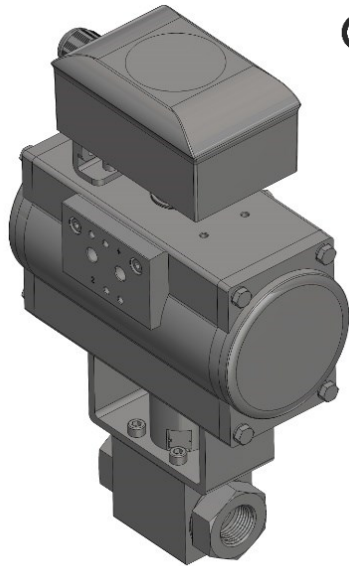
General Technical Data

Allowed System Pressure PN	140bar(110bar) and 240bar <i>A series for a maximum pressure of 63 bar is also available.</i> <i>However, there is no VdS approval here</i>
Nominal Actuation Pressure	6bar
Actuation Pressure Range	6-10bar
Temperature Range TS	-20°C to +100°C (Ball Valve) -20°C to +80°C (Pneumatic Actuator)
Gas Specifications and Extinguishing Agents	IG01, IG100, IG55, IG 541, CO ² and Clean Agents
Materials	Zink plated steel, Stainless steel, aluminium, plastics, elastomeric materials
Dimensions	As per Technical Specification on further pages
Connection Types	Threaded Connection (BSP,NPT); ISO, ASME and DIN Flanges (as per Technical Specification on further pages)
Approvals	VdS, CE , FM , FM-tested
Technical Options	<ul style="list-style-type: none"> • Electrical and mechanical Position Control • Manual Actuation and reset by Wrench
Values of electrical limit switch	Voltage: 12-250V AC/DC Operating current: 0,1-10A Number of switches: max. 4

**FiWaRec® Product Catalogue
for Directional Valves**



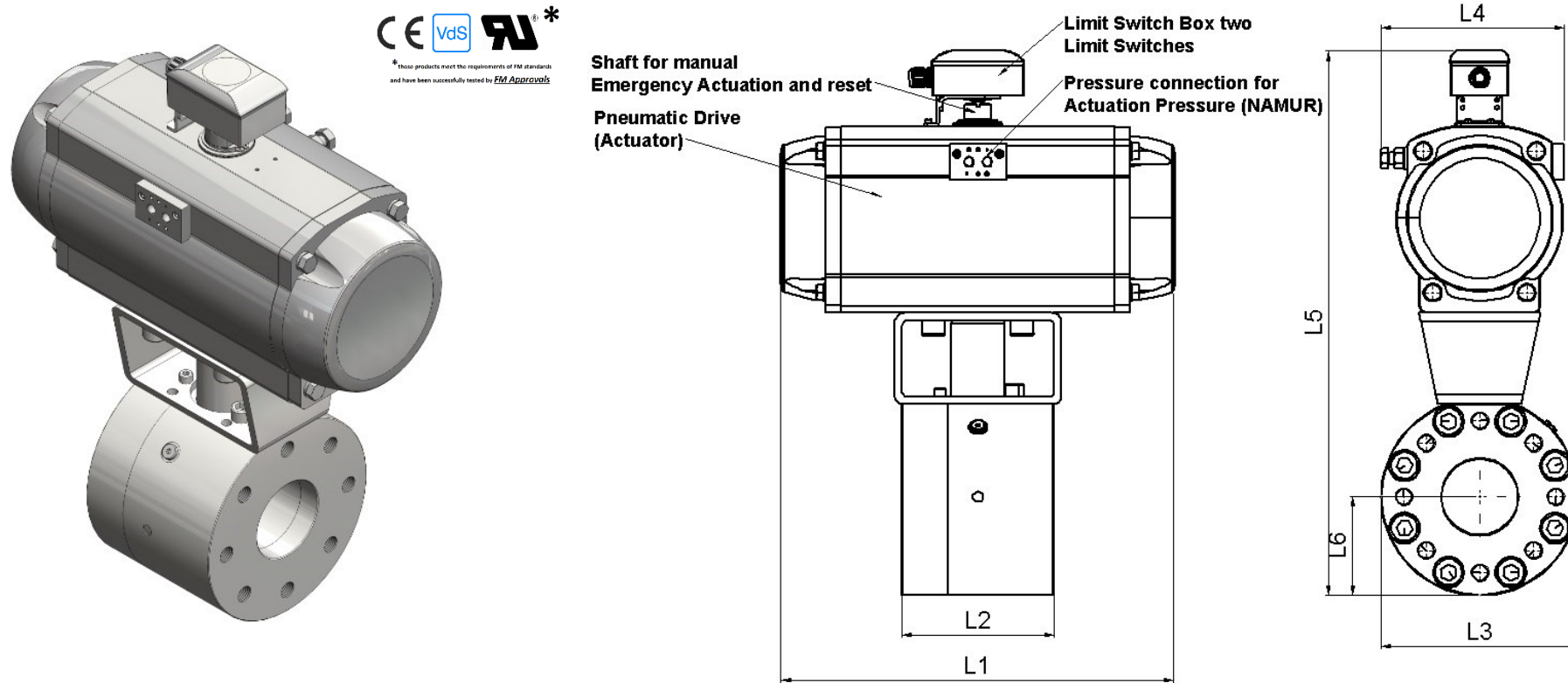
Directional Valves for BSP Pipe Connection (as per DIN ISO 228) 140bar use



Article Code	Size	Connection Type [Thread]	L1	L2	L3	L4	L5	L6	Weight
F3000000	DN20	G3/4" BSP	189	95	49	108	317	24,5	6,2kg
F3000200		3/4" NPT							
F3001000	DN25	G1" BSP	189	113	58	108	325	29,5	7kg
F3001200		G1" NPT							
F3002000	DN32	G1 1/4" BSP	231	111	81	133	370	40	11kg
F3002200		1 1/4" NPT		120					
F3003000	DN40	G1 1/2" BSP	257	130	100	154	413	50	15,8kg
F3003200		1 1/2" NPT							
F3004000	DN50	G2" BSP	257	140	118	154	428	59	18,5kg
F3004200		2" NPT		150					

*all lengths in millimeter [mm]

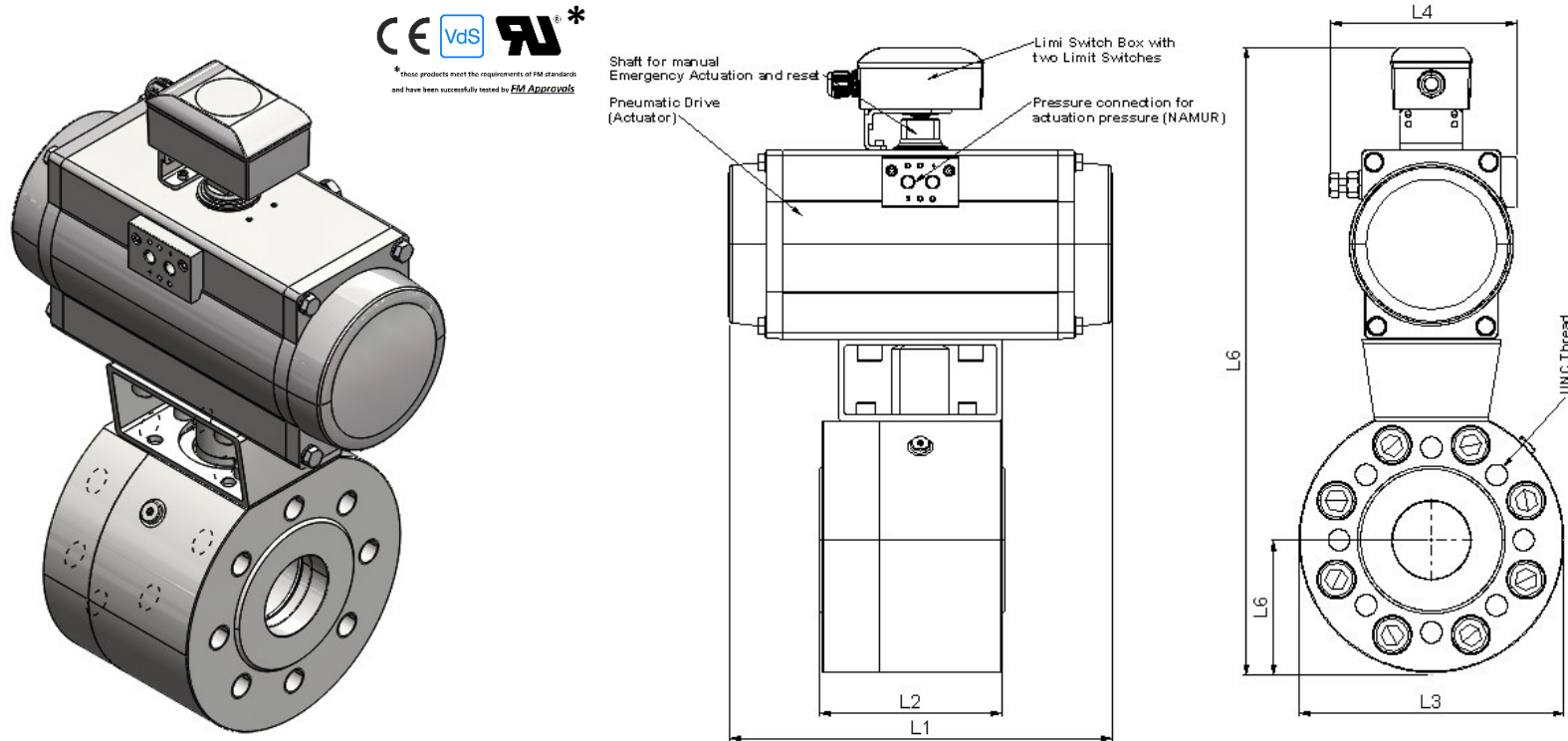
Directional Valves with ISO Flange Connection (as per ISO6164-2) 140bar use



Article Code	Size	Connection Type [ISO Flange]	L1	L2	L3	L4	L5	L6	Weight
F3005100	DN63	2 1/2"	334	150	208	161	546	104	48,4kg
F3006100	DN80	3"	374	170	258	182	608	129	80,1kg
F3007100	DN100	4"	519	200	260	242	718	130	113,4kg

*all lengths in millimeter [mm]

Directional Valves with ASME Class 600 Flange Connection 110bar use

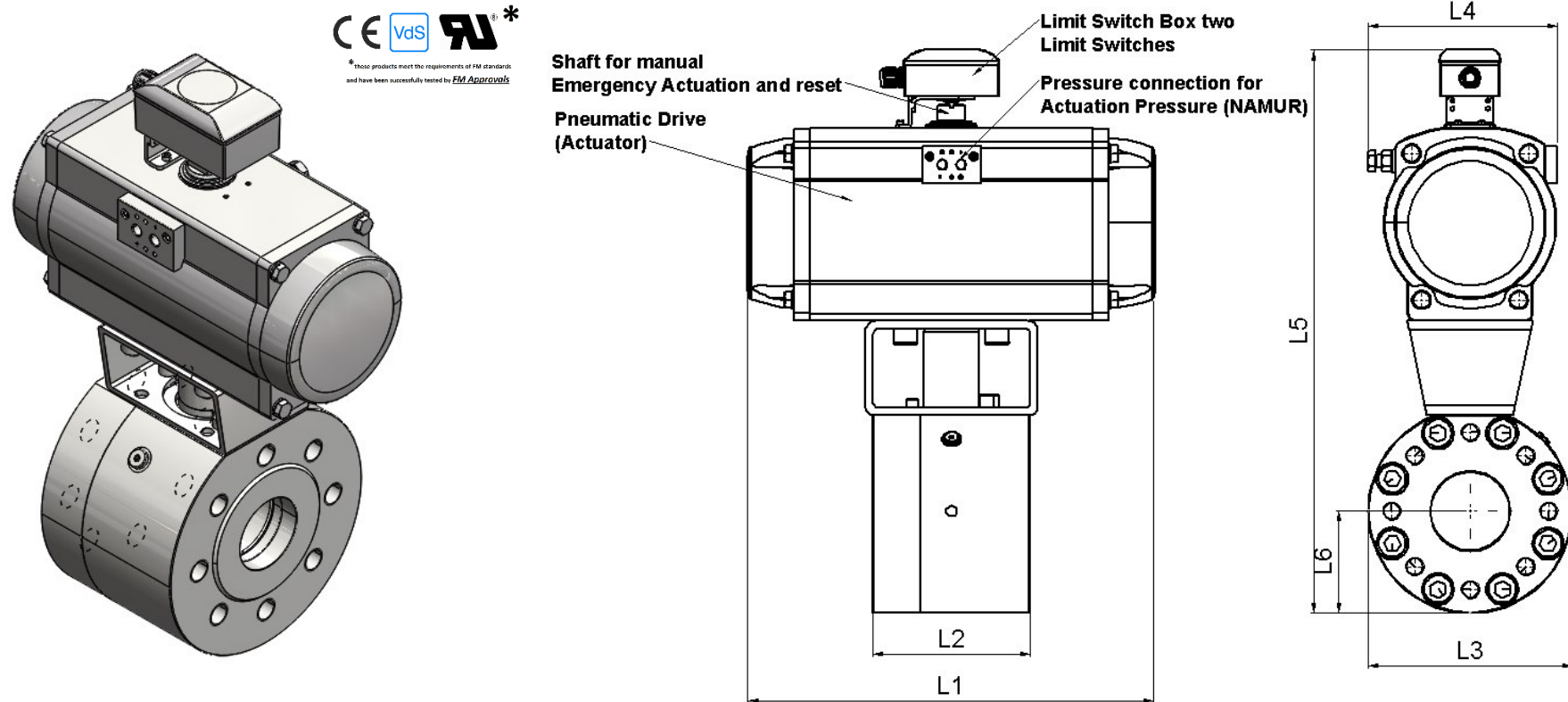


*These products meet the requirements of FM standards and have been successfully tested by FM Approvals

Article Code	Size	Connection Type [ASME Flange]	L1	L2	L3	L4	L5	L6	Weight
F3005300	DN63	2 1/2"	334		208	161	562	112	55,7Kg
F3006300	DN80	3"	374	190	258	182	609	129	84kg
F3007300	DN100	4"	519	210	260	242	680	130	108kg

*all lengths in millimeter [mm]

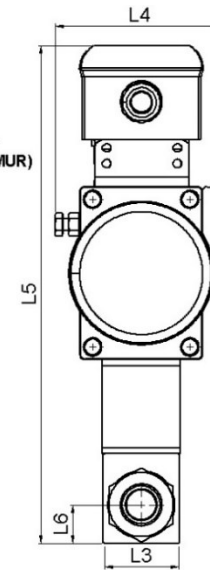
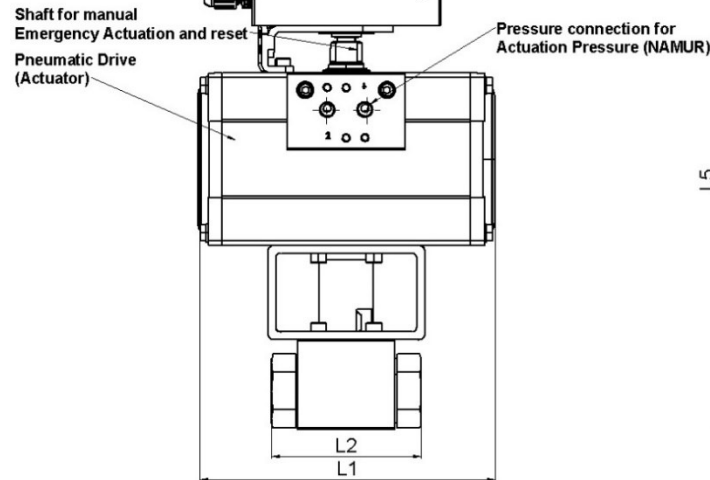
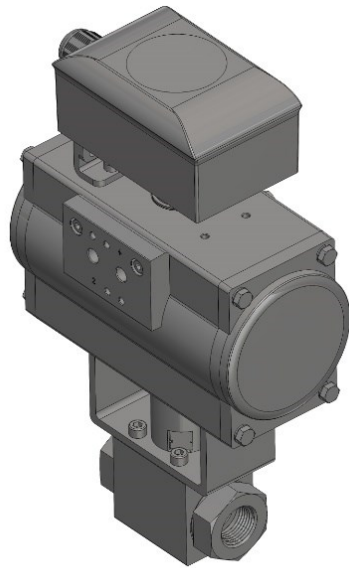
Directional Valves with DIN EN 1092-1 Flange Connection 140bar use



* These products meet the requirements of FM standards and have been successfully tested by FM Approvals

Article Code	Size	Connection Type [DIN Flange]	L1	L2	L3	L4	L5	L6	Weight
F3005400	DN63	2 1/2"	334		208	161	562	112	59,5kg
F3006400	DN80	3"	374	180	258	182	609	129	81,5kg
F3007400	DN100	4"	519	200	260	242	680	130	105kg

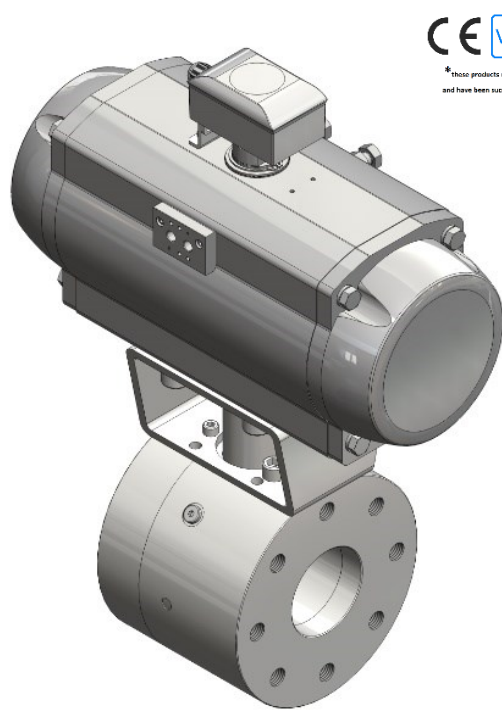
Directional Valves for BSP Pipe Connection (as per DIN ISO 228) 240bar use



Article Code	Size	Connection Type [Thread]	L1	L2	L3	L4	L5	L6	Weight
F300010	DN20	G3/4" BSP	189	95	49	108	317	24,5	6,2kg
F3000210		3/4" NPT							
F3001010	DN25	G1" BSP	214	113	58	124	338	29,5	8,5kg
F3001210		1" NPT							
F3002010	DN32	G1 1/4" BSP	257	111	81	154	396	40	13,4kg
F3002210		1 1/4" NPT		120					
F3003010	DN40	G1 1/2" BSP	257	130	100	154	413	50	15,8kg
F3003210		1 1/2" NPT							
F3004010	DN50	G2" BSP	334	140	118	161	439	59	21,0kg
F3004210		2" NPT		150					

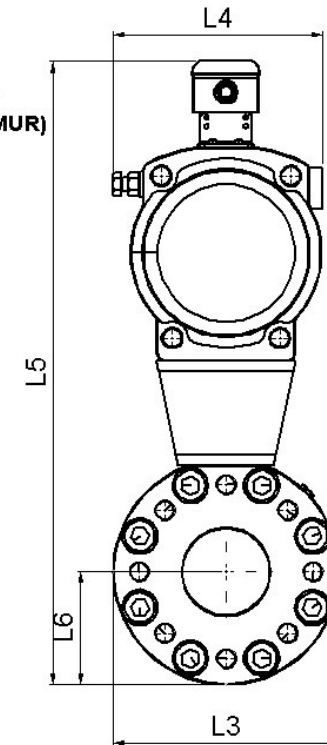
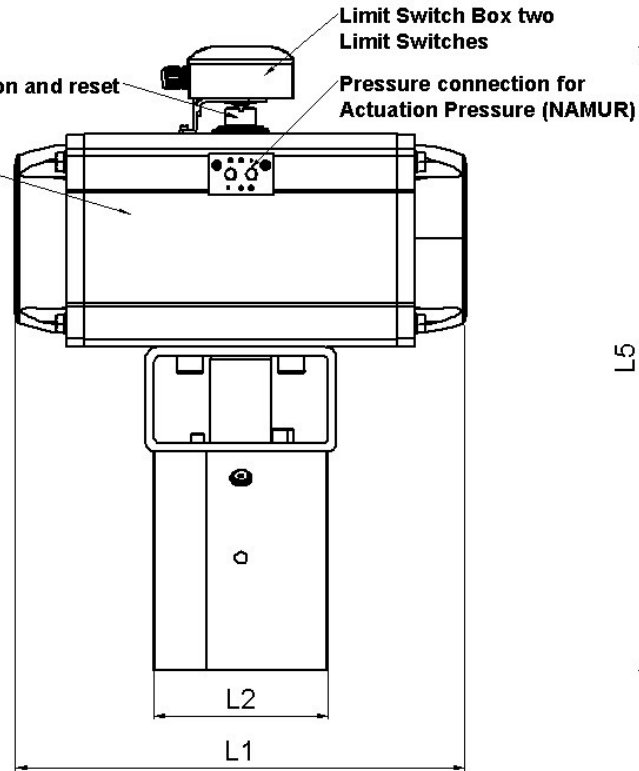
*all lengths in millimeter [mm]

Directional Valves with ISO Flange Connection (as per ISO6164-2) 240bar use



*These products meet the requirements of FM standards and have been successfully tested by FM Approvals

Shaft for manual
Emergency Actuation and reset
Pneumatic Drive
(Actuator)



Article Code	Size	Connection Type [ISO Flange]	L1	L2	L3	L4	L5	L6	Weight
F3005110	DN63	2 1/2"	520	150	208	242	630	104	74,8kg
F3006110	DN80	3"	636	170	258	306	670	129	129kg
F3007110	DN100	4"	636	200	260	306	741	129	143kg

*all lengths in millimeter [mm]

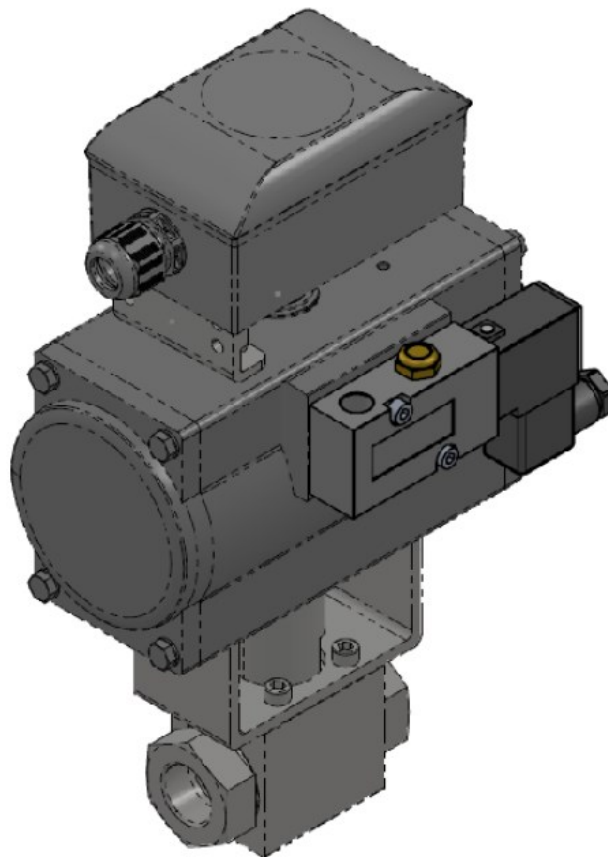
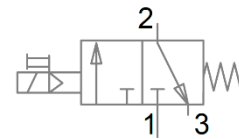
Solenoid Valves to control the Directional Valves directly



For direct assembly to the pneumatic actuation ports

- Type F0150032
 - 3/2 valve - NC
 - 24VDC +/-10%
 - 3.1W
 - Electrical actuation, spring return
 - Operating pressure 6-10bar
 - IP65 / 100%ED
- Type F0150036
 - 3/2 valve - NC
 - 24VDC +/-10%
 - 1.8W
 - Electrical actuation, spring return
 - Operating pressure 6-10bar

Symbol:



For more details and information like

- Datasheets
- Technical Drawings
- Instruction Manuals
- Additional Catalogues
- ...

Please send a request to: sales@fiwarec.de

Or visit the download area on our website under:

<http://fiwarec.de/de/login.html>

Copyright according to ISO 16016:

All rights reserved in the event of the grant of a patent, utility model or design.

Modifications may take place and materials may be changed without prior notice.



FiWaRec® GmbH

Europa-Allee 51
54343 Föhren

Germany